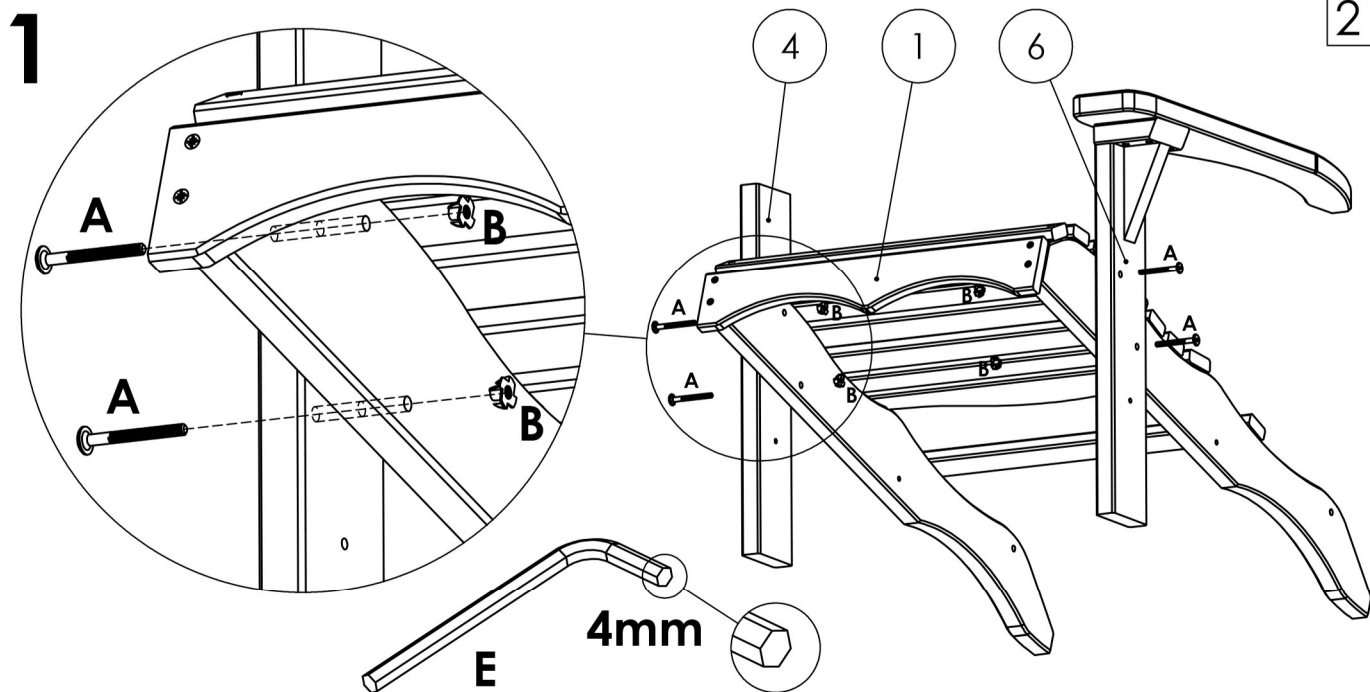


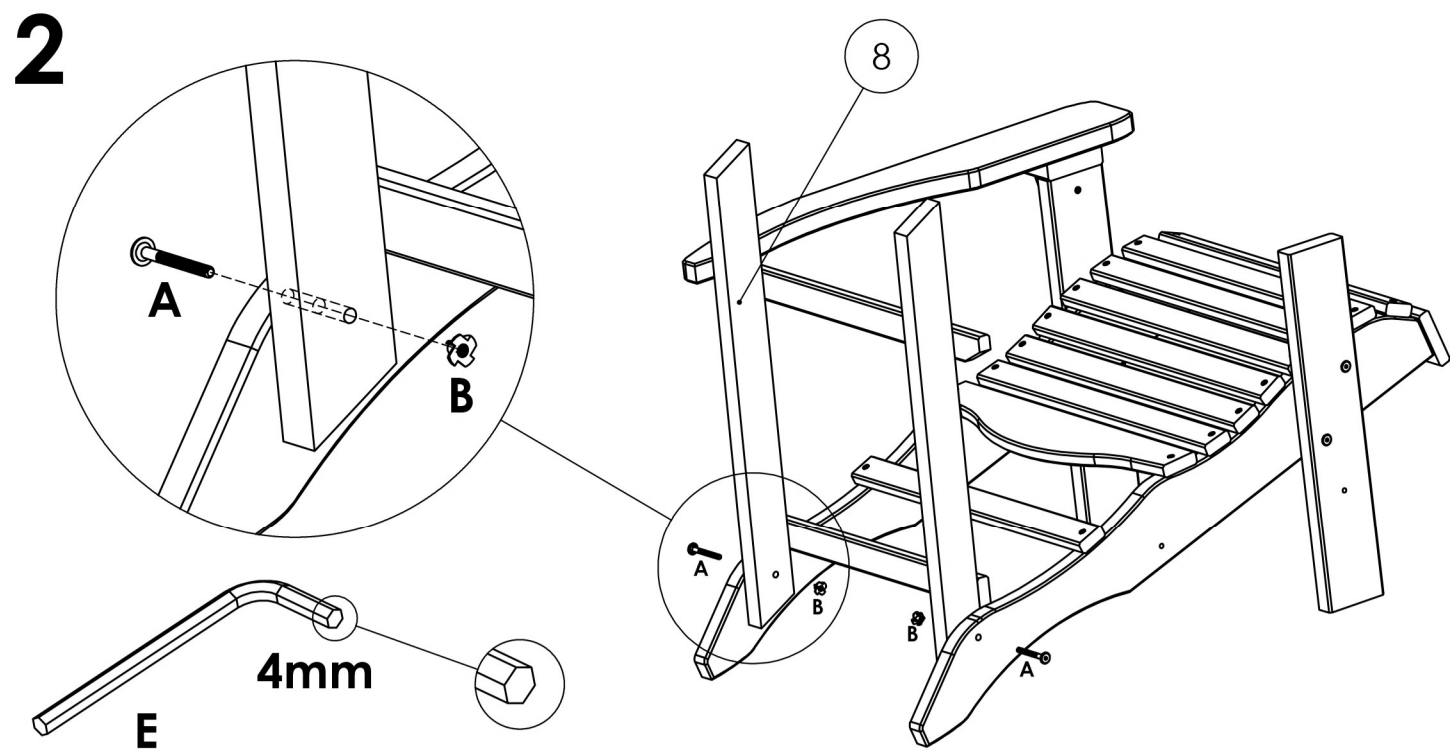




<p><b>1</b></p> <p><b>x2</b></p>	<p><b>2</b></p> <p><b>x2</b></p>	<p><b>3</b></p> <p><b>x1</b></p>	<p><b>4</b></p> <p><b>x2</b></p>
<p><b>5</b></p> <p><b>x1</b></p>	<p><b>6</b></p> <p><b>x1</b></p>	<p><b>7</b></p> <p><b>x1</b></p>	<p><b>8</b></p> <p><b>x2</b></p>

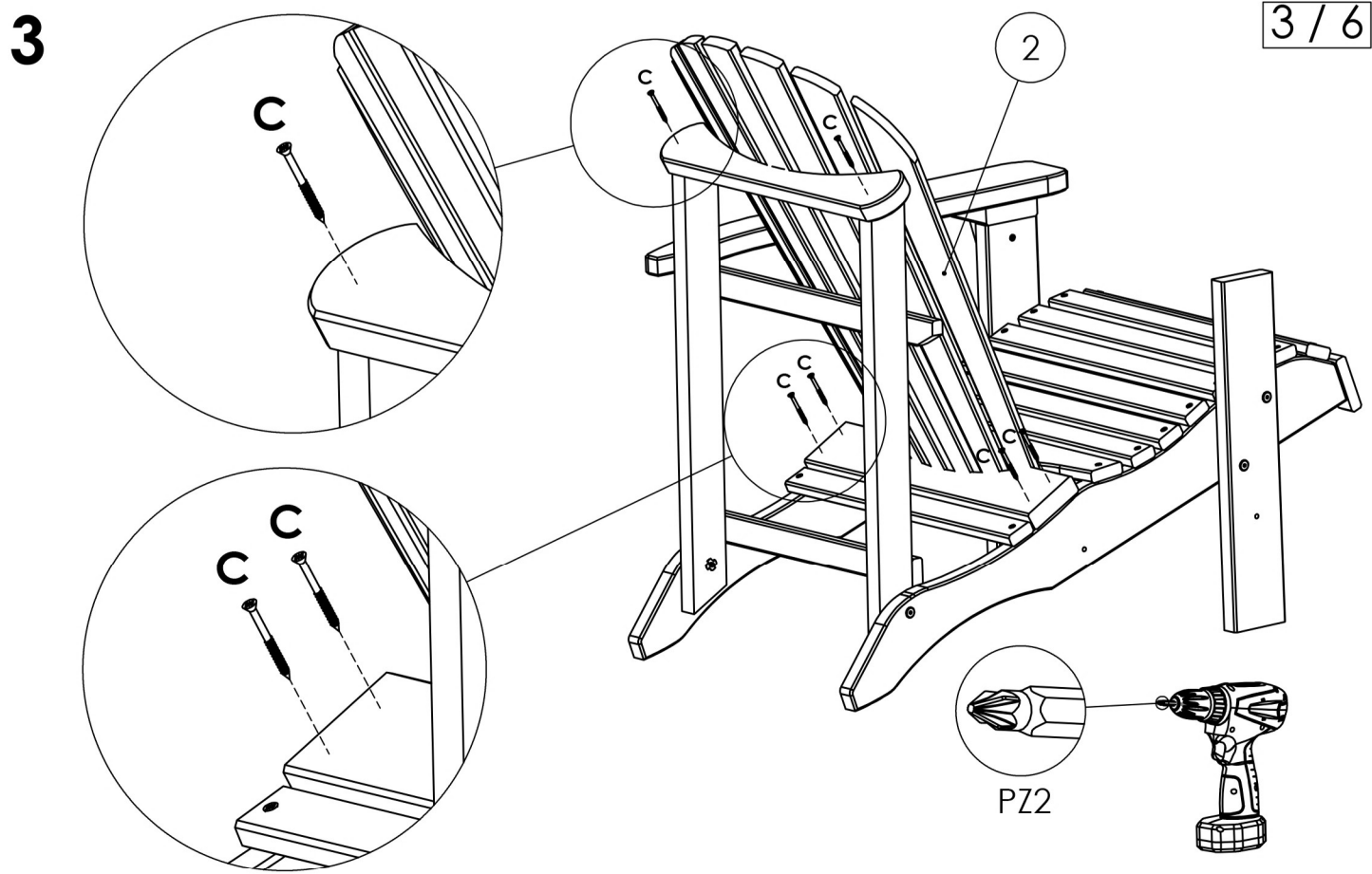
<p><b>A</b></p>		<p><b>M6x60</b></p>	<p><b>x12</b></p>
<p><b>B</b></p>		<p><b>M6</b></p>	<p><b>x12</b></p>
<p><b>C</b></p>		<p><b>5x50</b></p>	<p><b>x20</b></p>
<p><b>D</b></p>		<p><b>5x60</b></p>	<p><b>x4</b></p>
<p><b>E</b></p>	<p><b>4mm</b></p>	<p>PZ2</p>	



A		M6x60	x4
B		M6	x4

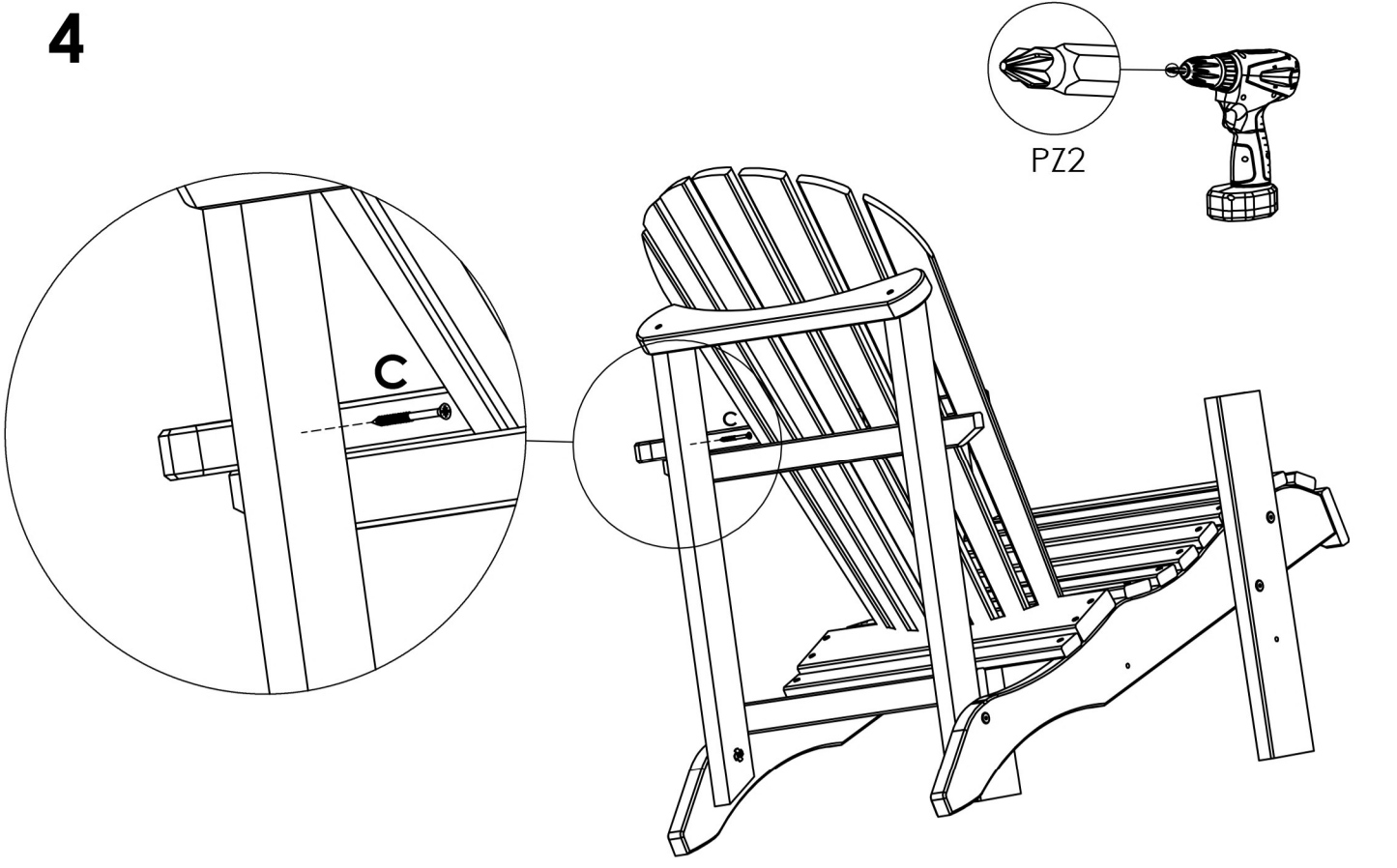


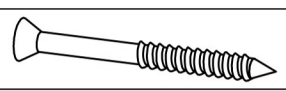
A		M6x60	x2
B		M6	x2

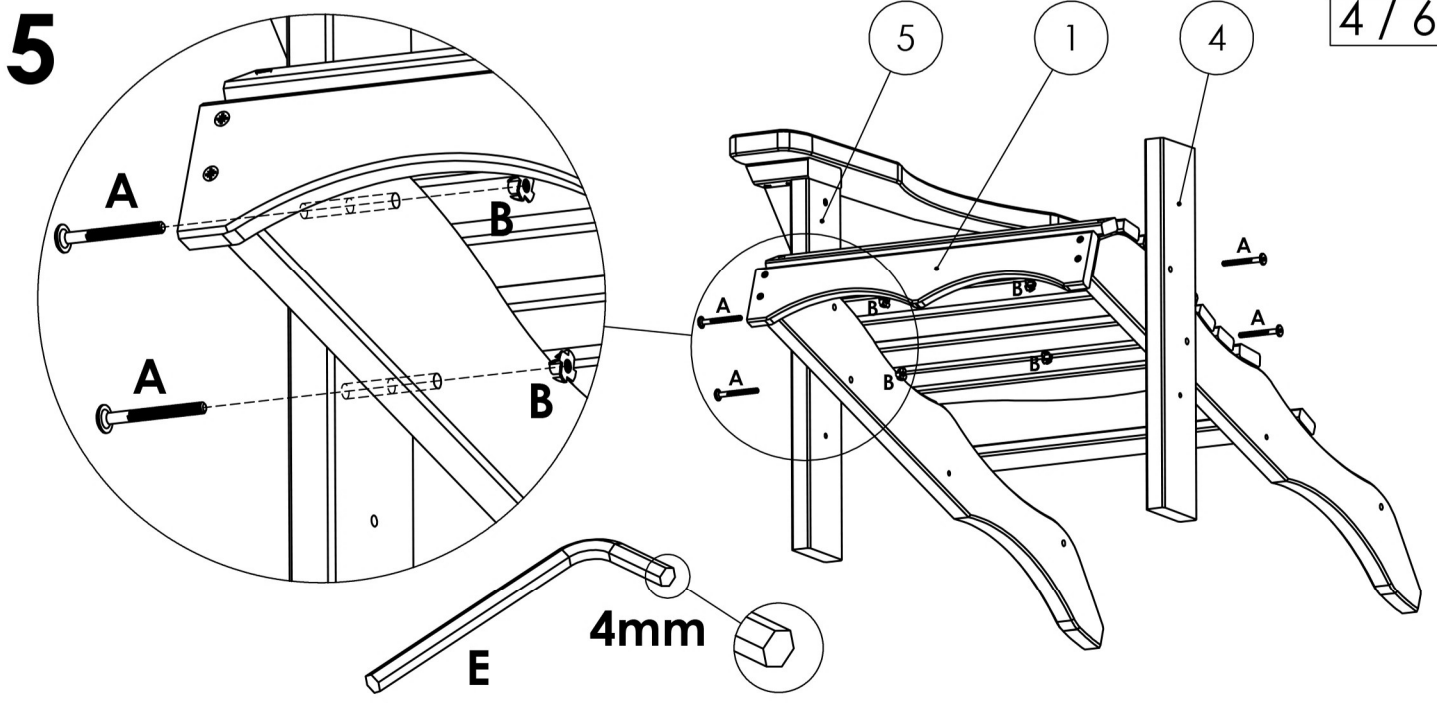




<b>C</b>		<b>5x50</b>	<b>x6</b>
----------	--	-------------	-----------

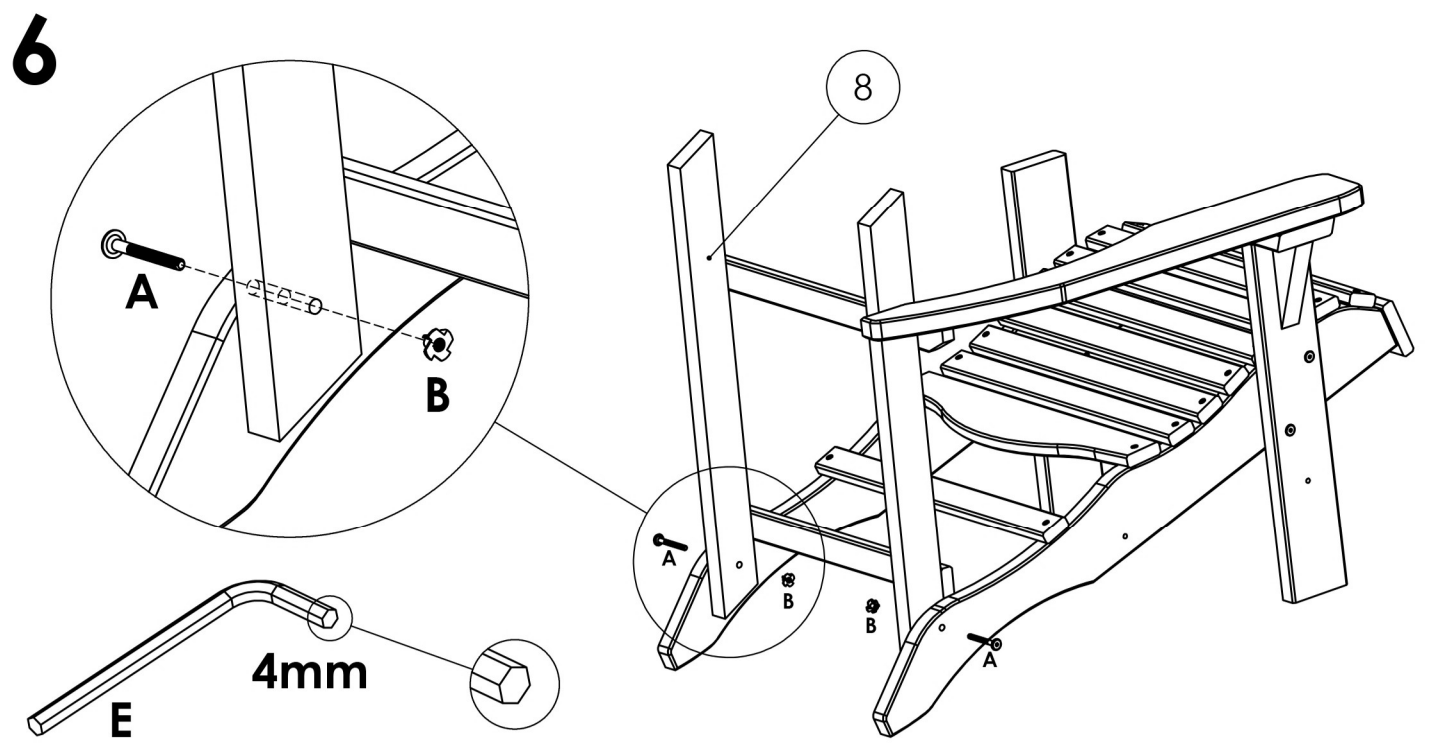
**4**



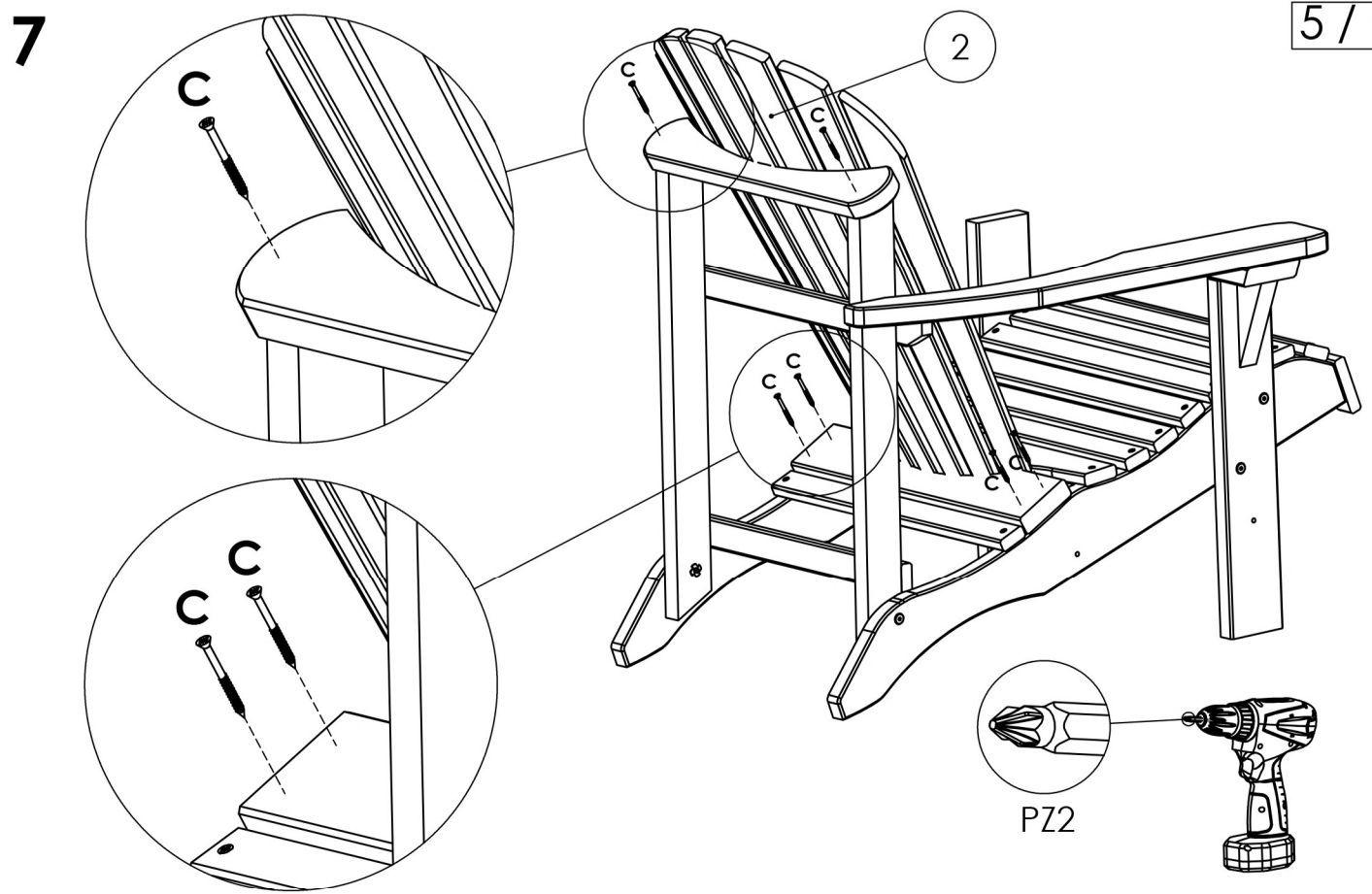
<b>C</b>		<b>5x50</b>	<b>x1</b>
----------	---	-------------	-----------



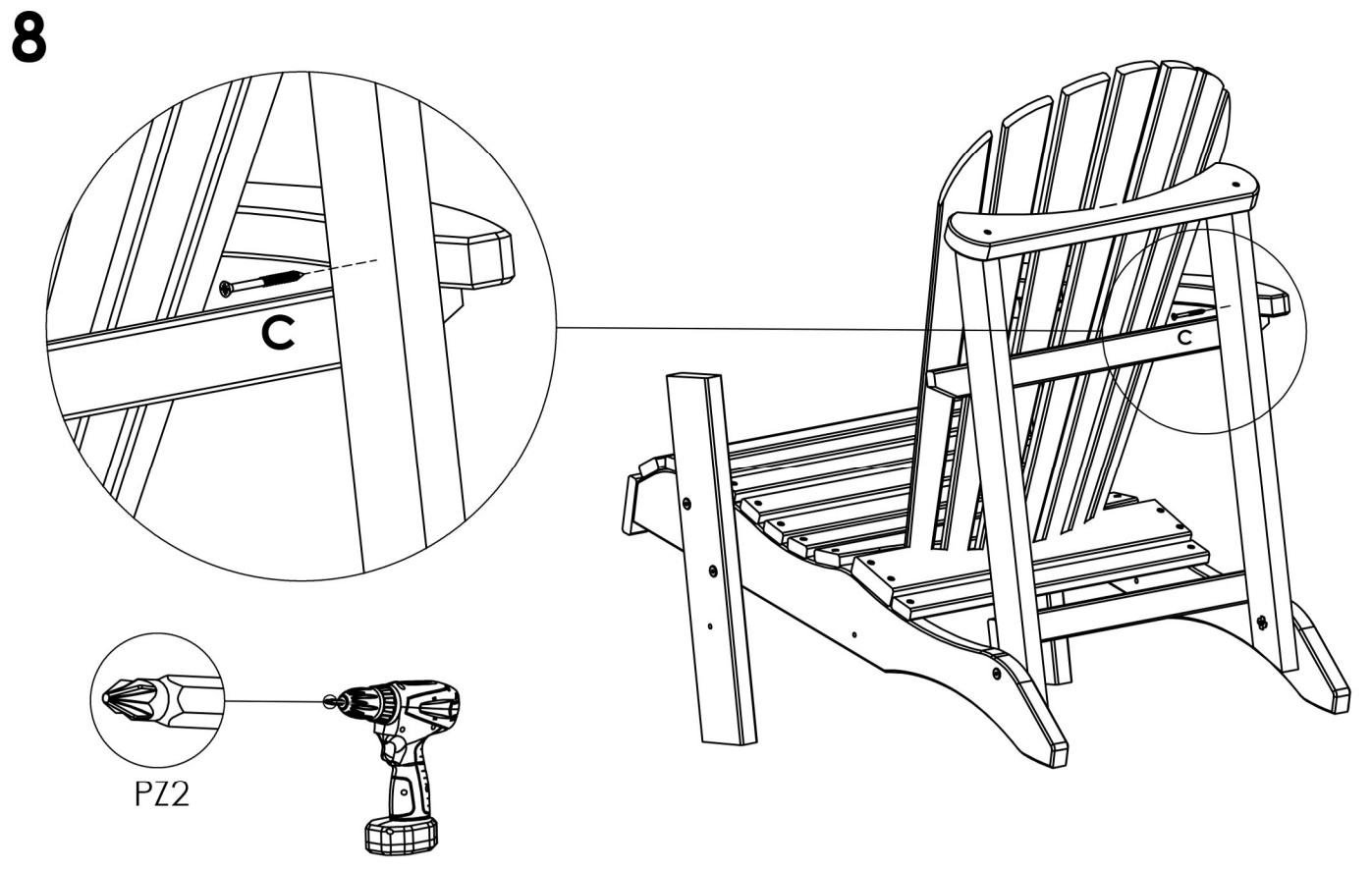
A		M6x60	x4
B		M6	x4

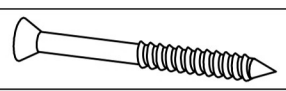


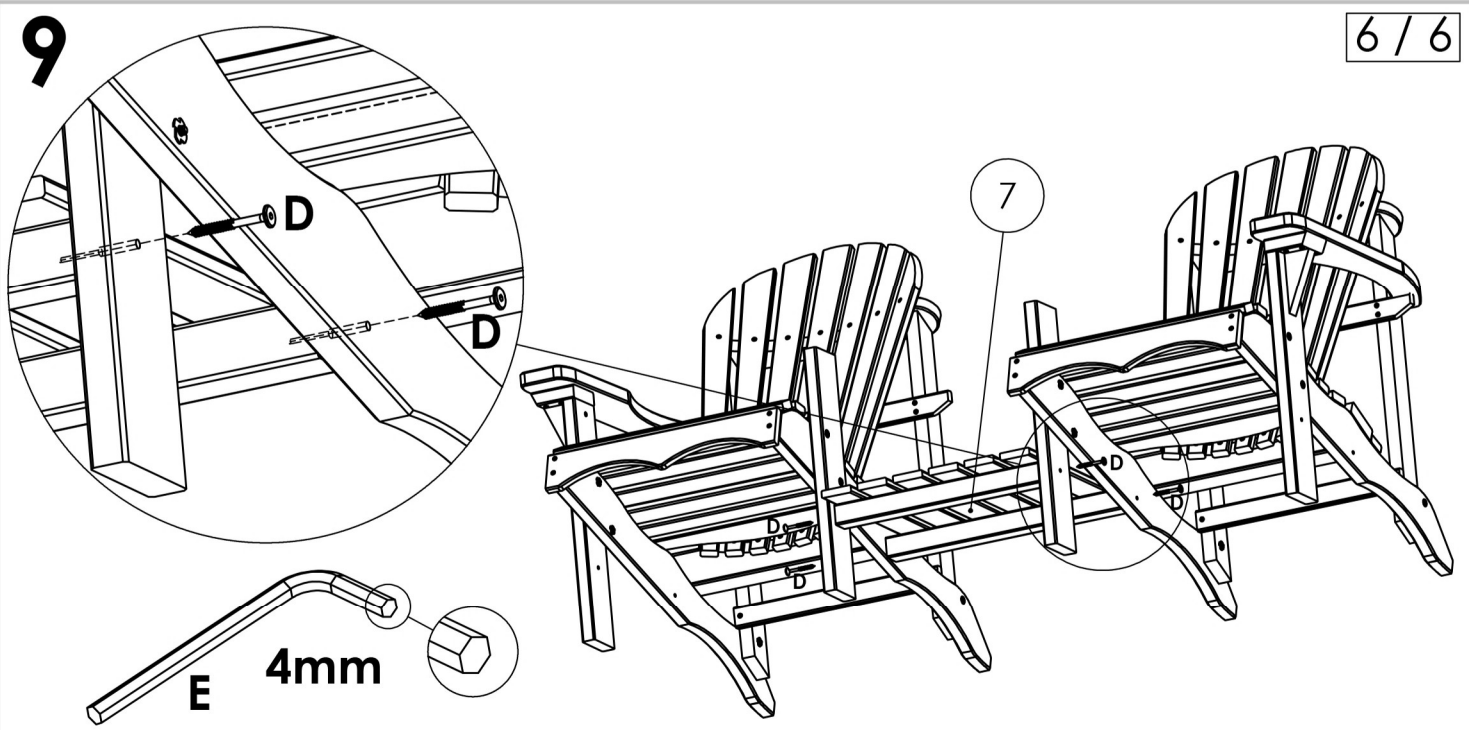
A		M6x60	x2
B		M6	x2



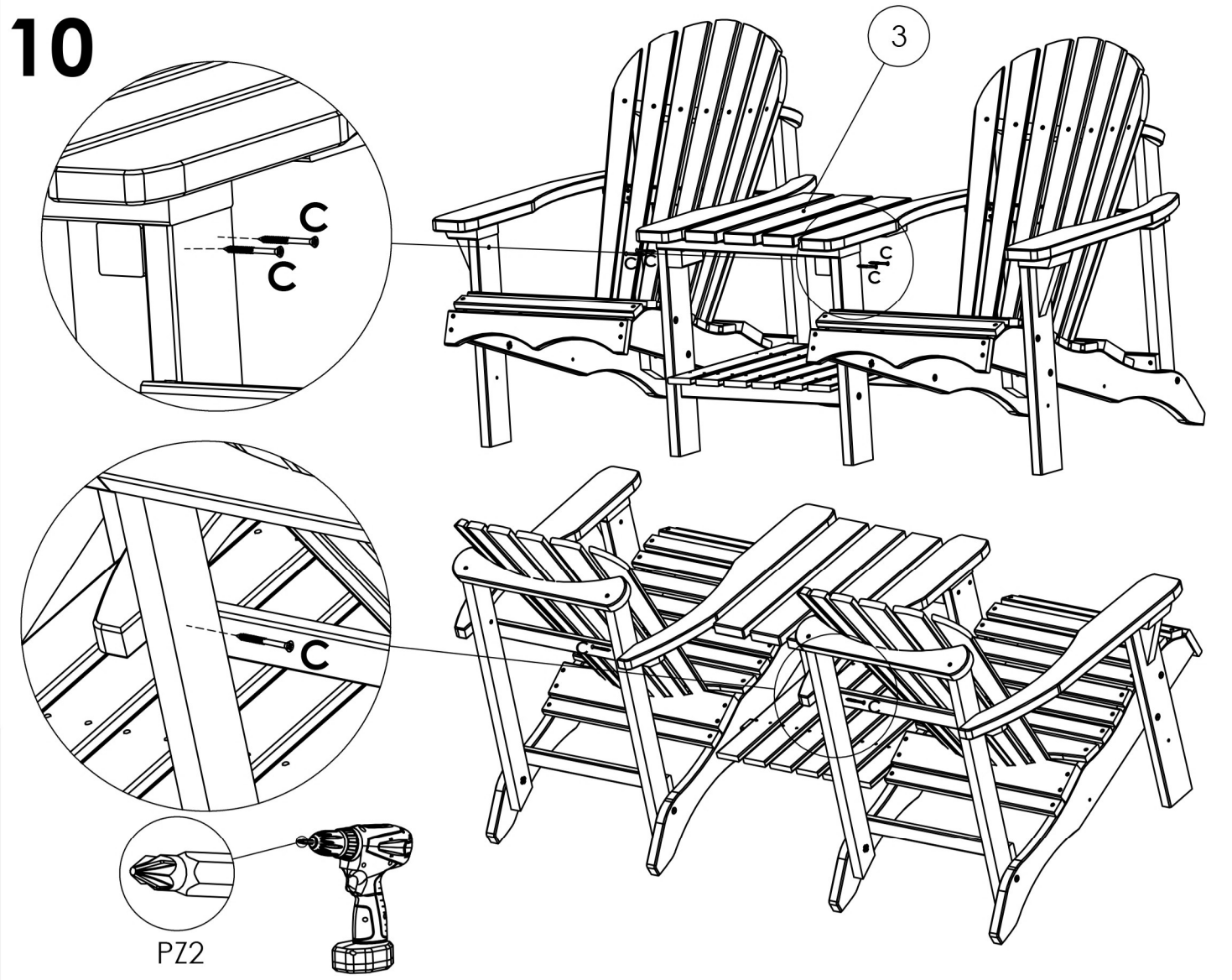
<b>C</b>		<b>5x50</b>	<b>x6</b>
----------	--	-------------	-----------

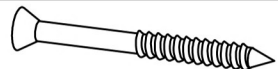


<b>C</b>		<b>5x50</b>	<b>x1</b>
----------	---	-------------	-----------



<b>D</b>		<b>5x60</b>	<b>x4</b>
----------	---	-------------	-----------



<b>C</b>		<b>5x50</b>	<b>x6</b>
----------	---	-------------	-----------