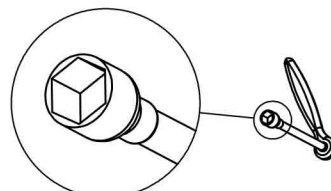
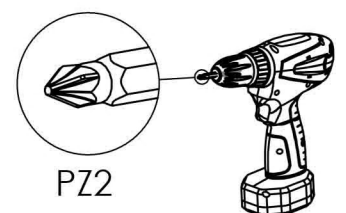


A		M8x80	x18
B		M8x120	x14
C		5x50	x16
D		M8	x32
E		M8	x32

IMPORTANT!
Do not tighten screws during assembly.
All screws must be tightened up
only at the end of assembly.

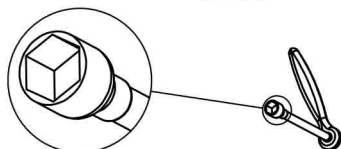
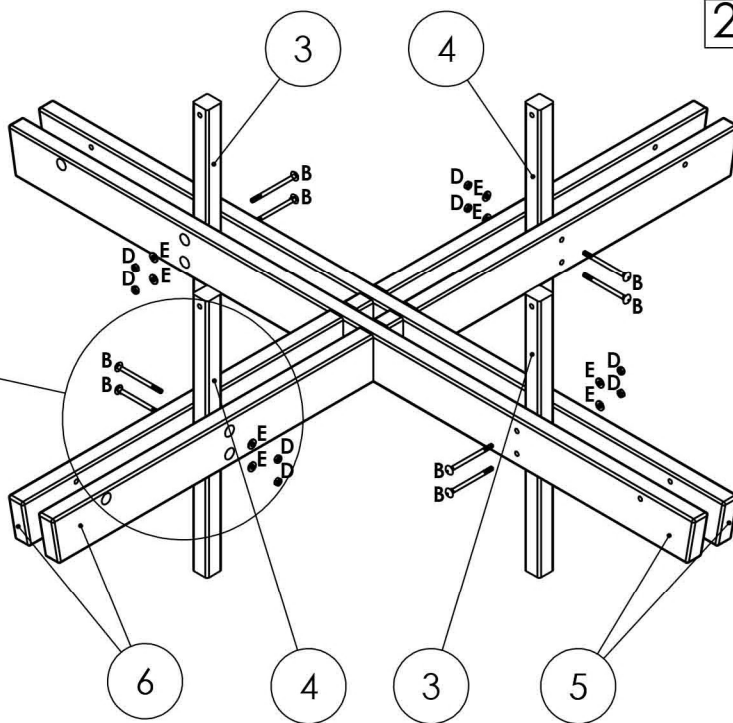
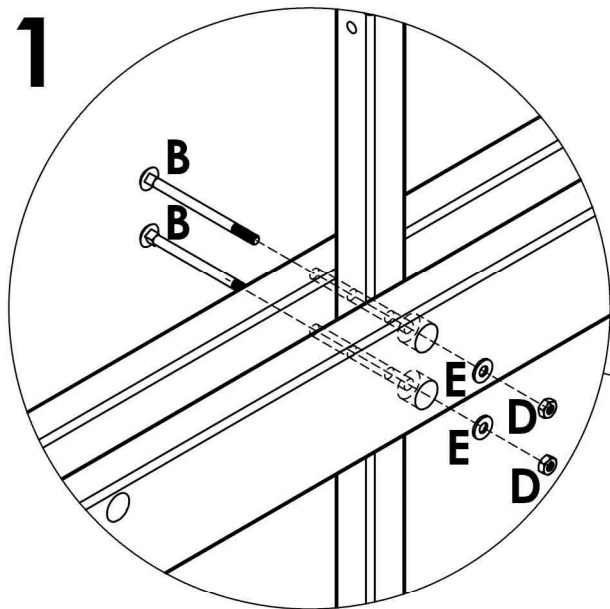


13mm

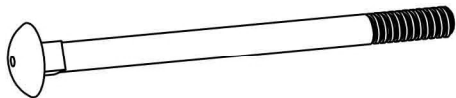




PZ2

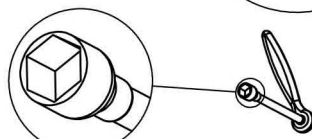
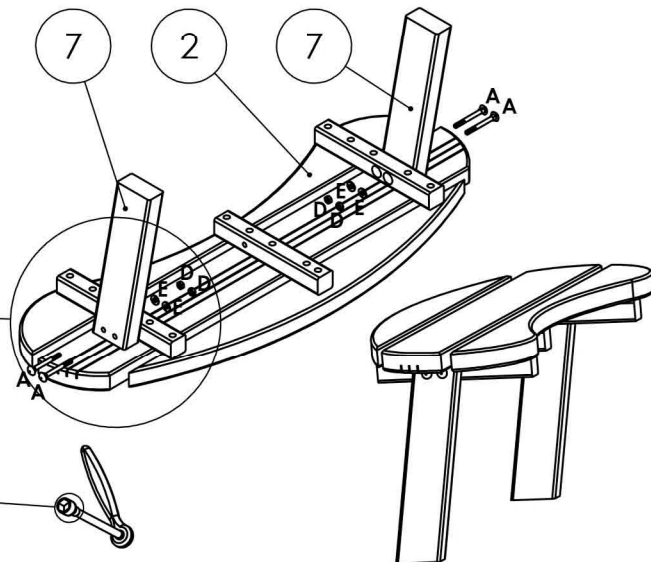
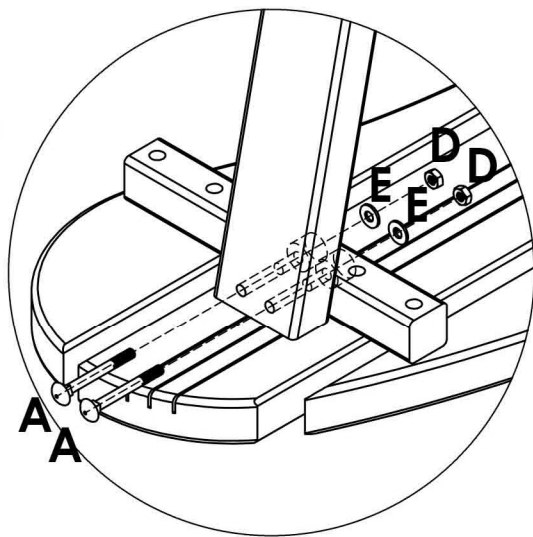
1



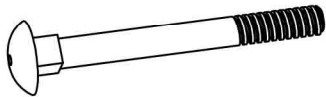


13mm

B		M8x120	x8
D		M8	x8
E		M8	x8

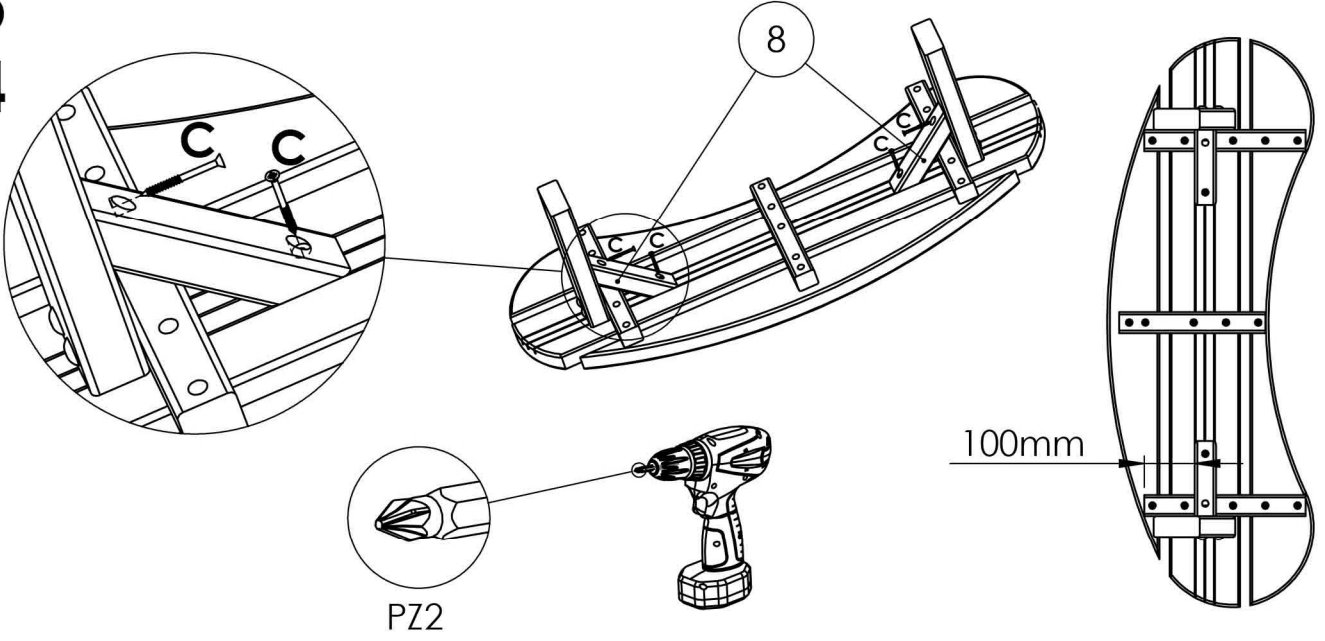
2
x4

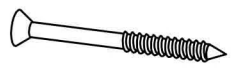


13mm

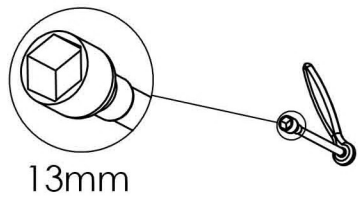
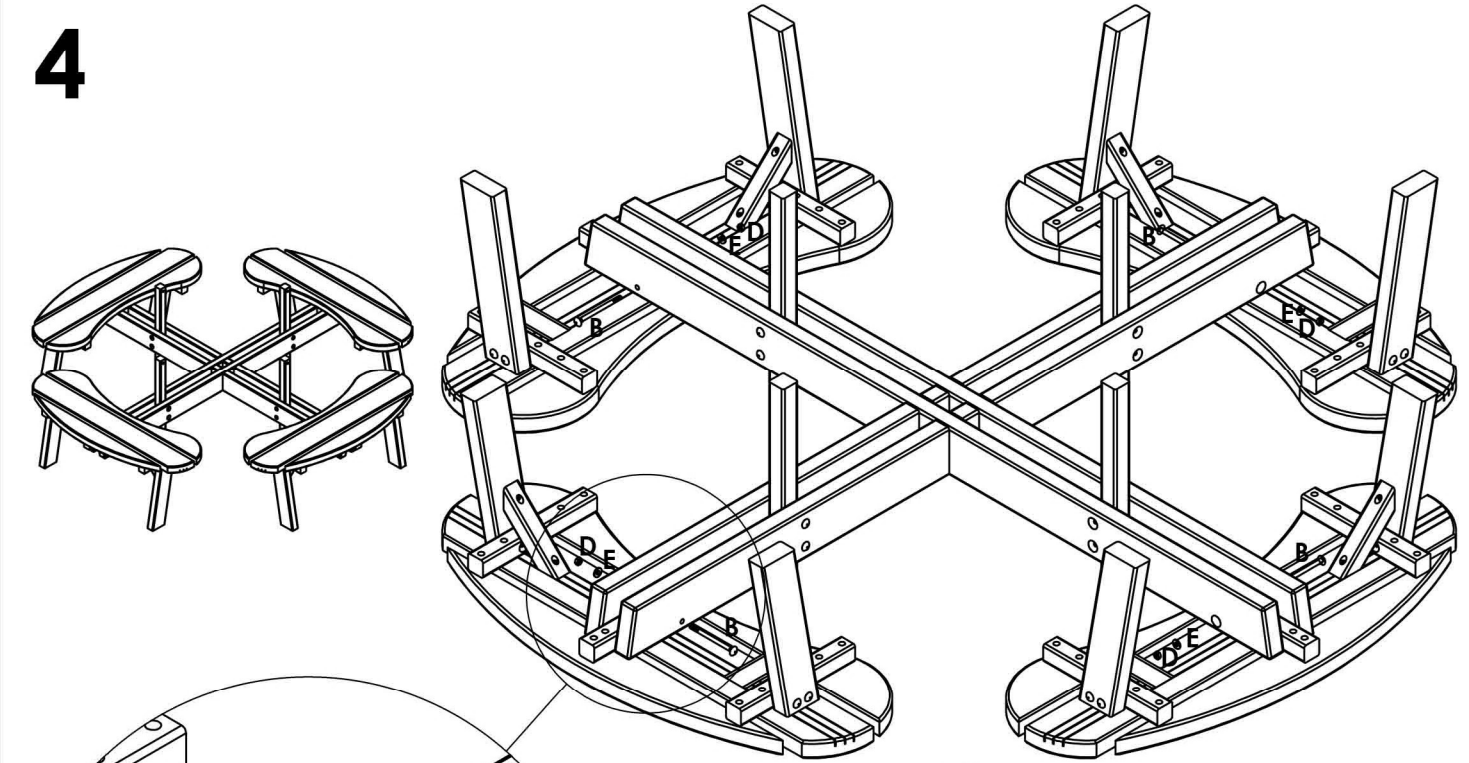
A		M8x80	x16
D		M8	x16
E		M8	x16

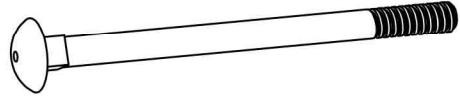


3
x4



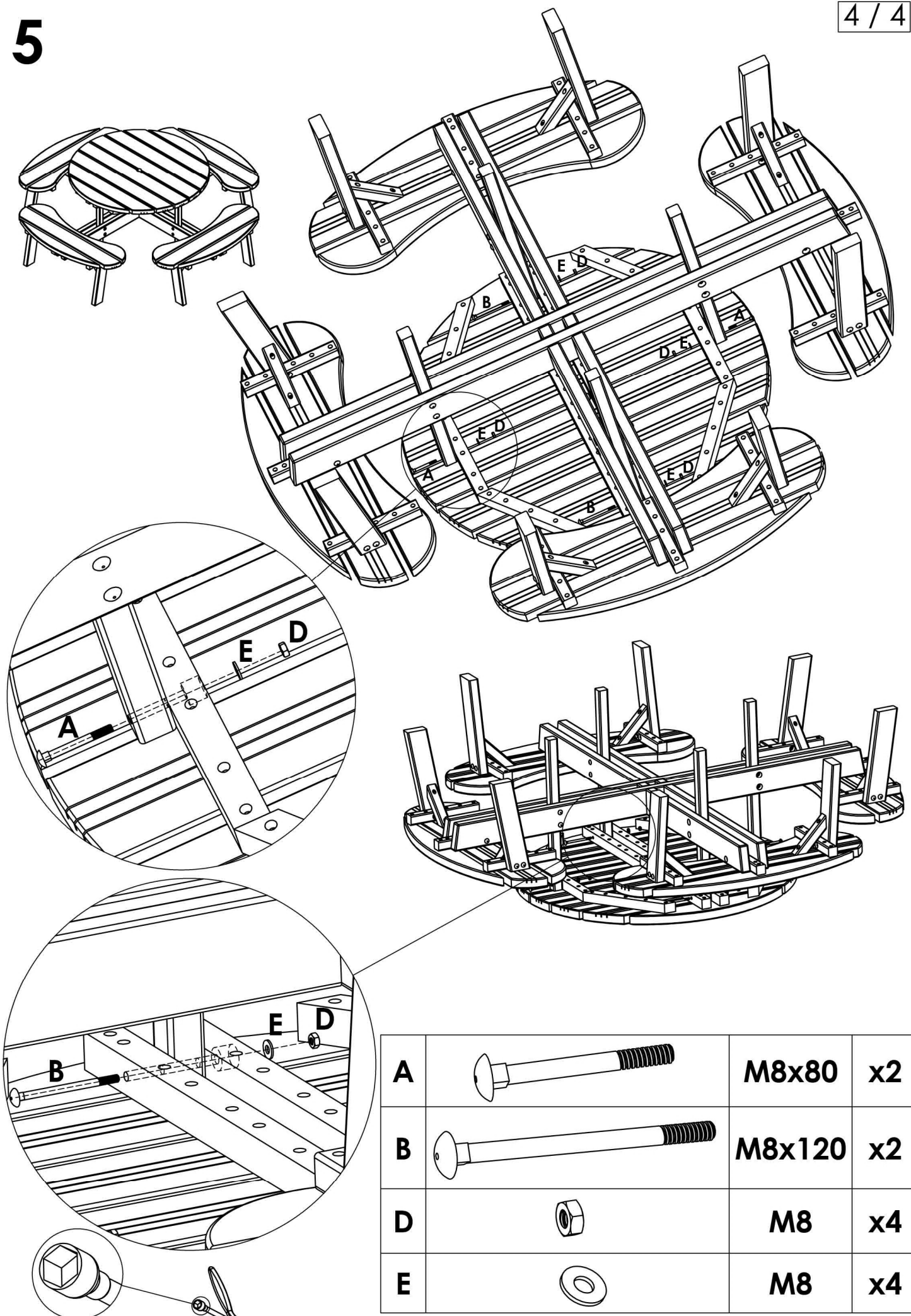
C		5x50	x16
----------	---	-------------	------------

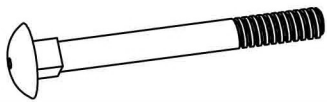
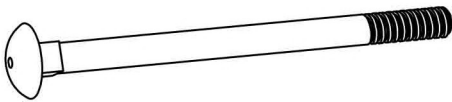


4



B		M8x120	x4
D		M8	x4
E		M8	x4

5



A		M8x80	x2
B		M8x120	x2
D		M8	x4
E		M8	x4

13mm

